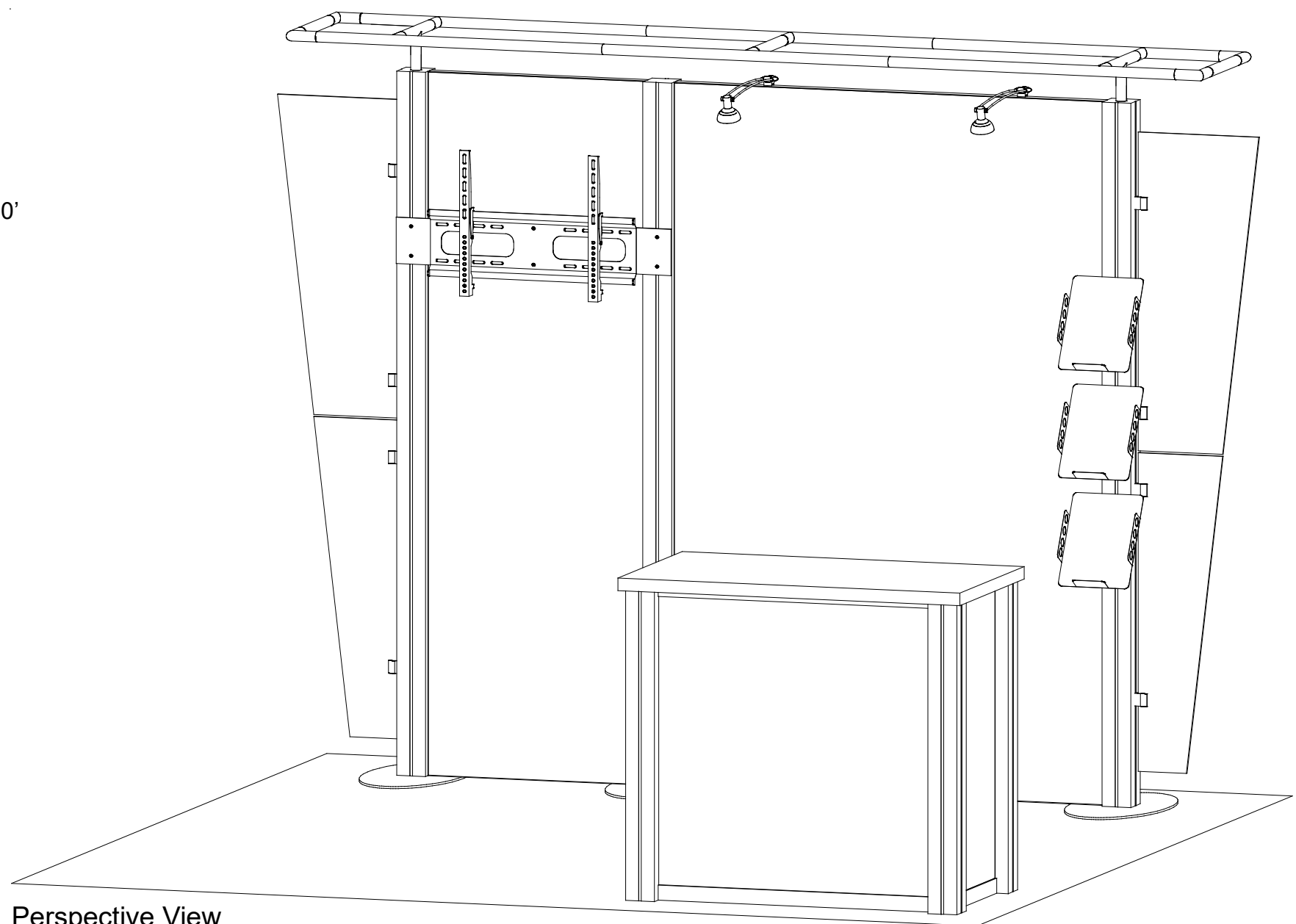


Top View



Perspective View

General Setup Instructions

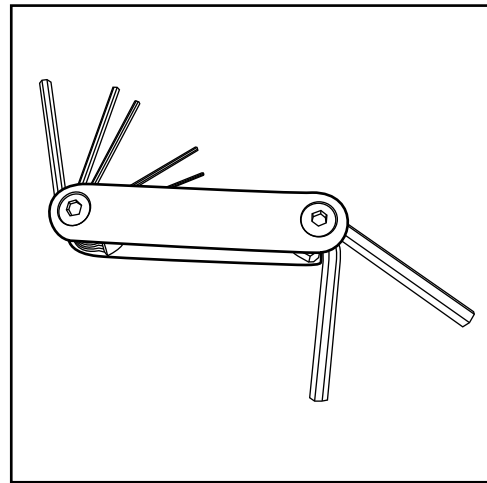
- Read entire setup instruction manual prior to unpacking parts and pieces.
- The setup instructions are created specifically for this configuration.
- Setup instructions are laid out sequentially in steps, including exploded views with detailed explanation for assembly.

Cleaning & Packing

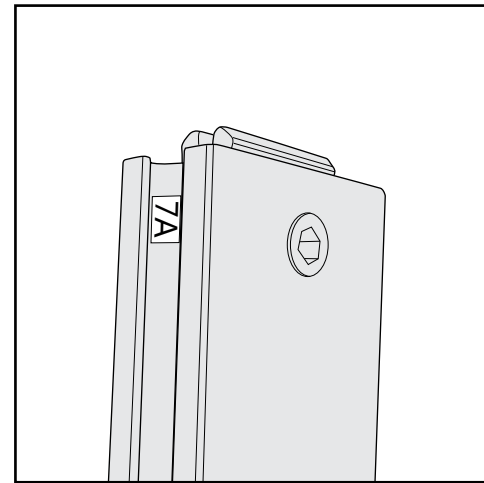
- For Cleaning Metal, Plex, & Laminate Parts: Use a **MILD NON-ABRASIVE** cleanser and soft cloth/paper towel to clean all surfaces.
- Keep exhibit components away from heat and prolonged sun exposure.
Heat and UV exposure will warp and fade components.
- Retain all provided Packing Materials. All provided packing materials are for ease of repacking & component protection.

Disassembly

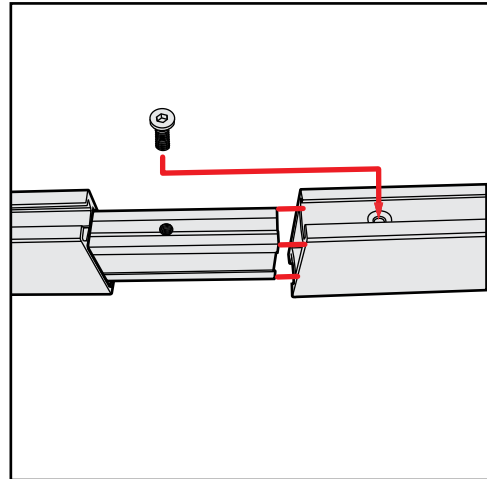
- For loss prevention, tighten all set screws and locks during disassembly.



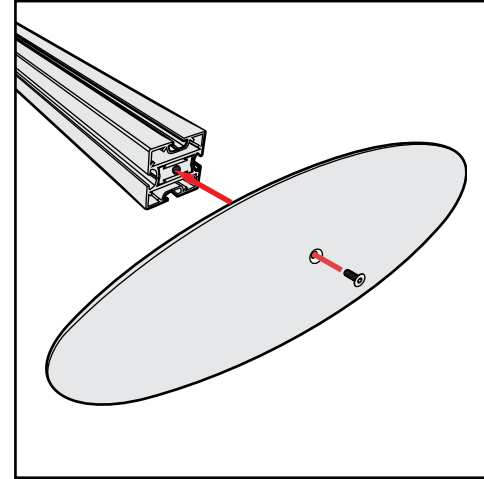
Hex Tool - Essential for Assembly



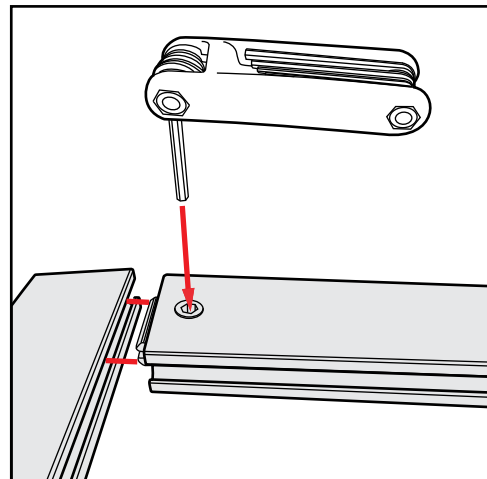
Part Identification - Numbering



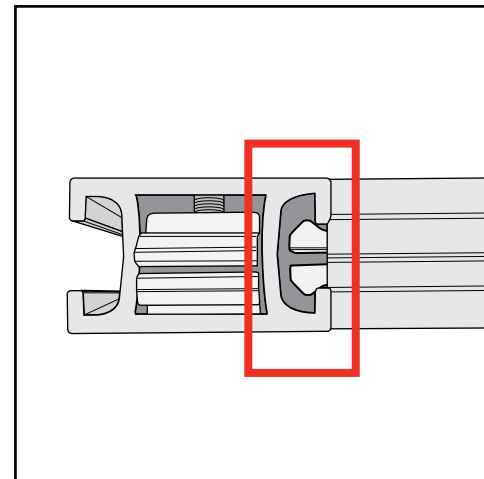
Spline Connection



Base Plate & Extrusion Connection



Extrusion & Lock Connection



Engaged Lock



WARNING



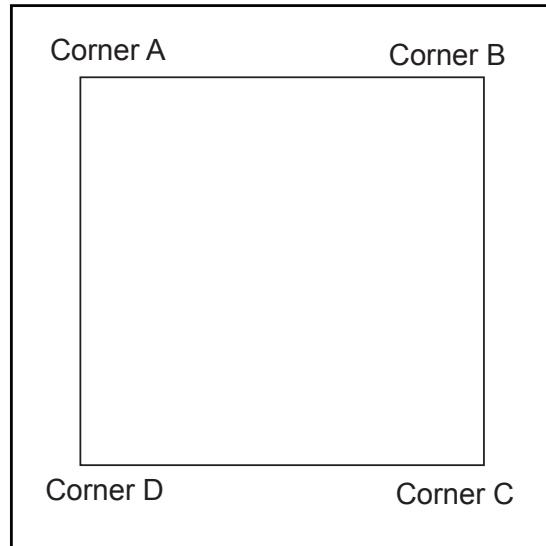
DO NOT USE POWER TOOLS



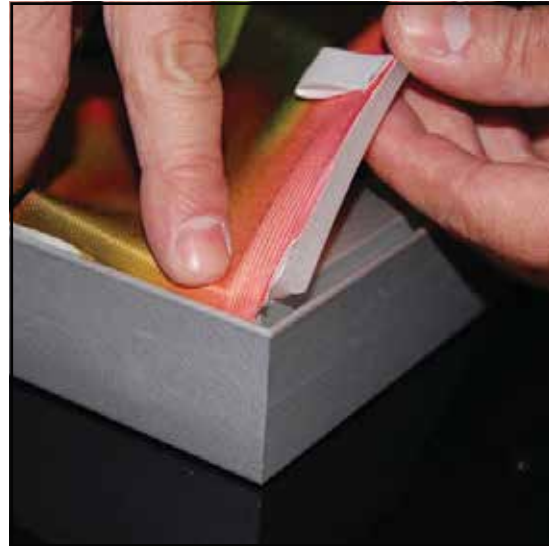
LADDERS OR LIFTS
MAY BE REQUIRED



ALL CONNECTIONS MUST
BE TIGHTLY SECURED



It is important to first insert graphic into each alternate corner then to the sides of the frame. If this is not done, graphic will not fit into the frame correctly.



Step 1
Insert corner A. Turn edge of graphic so silicon welt is perpendicular to face of graphic. Insert narrow side of welt with fabric to outside into the channel. Repeat for other side of this corner.

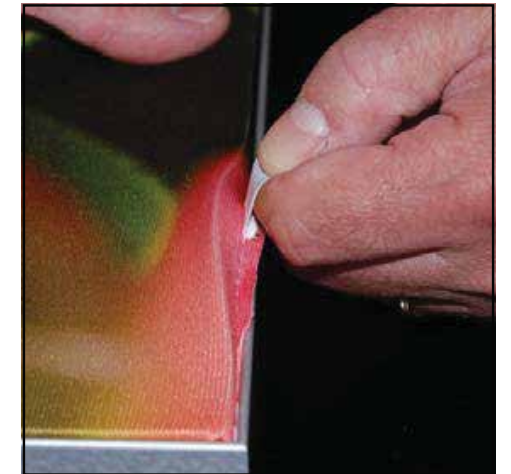


Step 2
Repeat Step 1 for opposite corner C, then insert corner B, followed by corner D, to complete the installation of the corners.

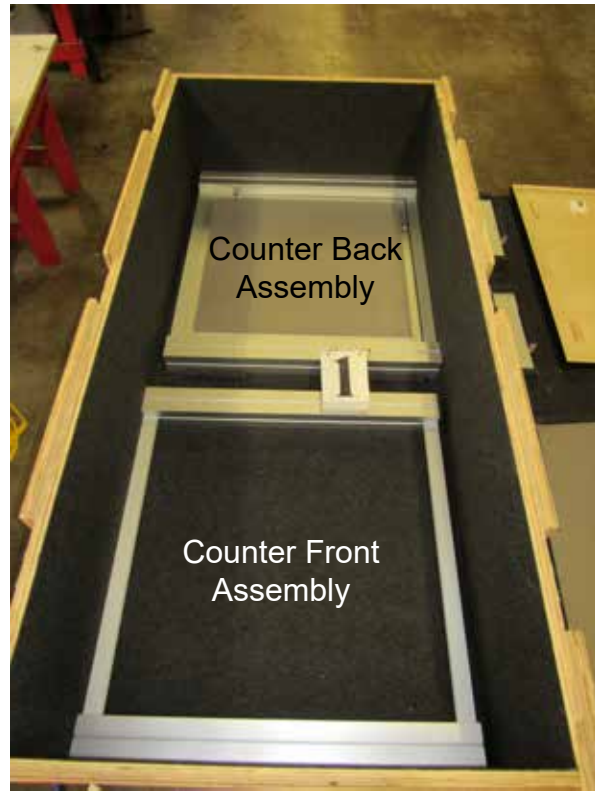


Step 3
Once all corners are inserted, press one silicon edge into channel from corners and work toward the center. Make sure welt is fully inserted into channel. Continue until all sides are done. Smooth out edges of graphic.

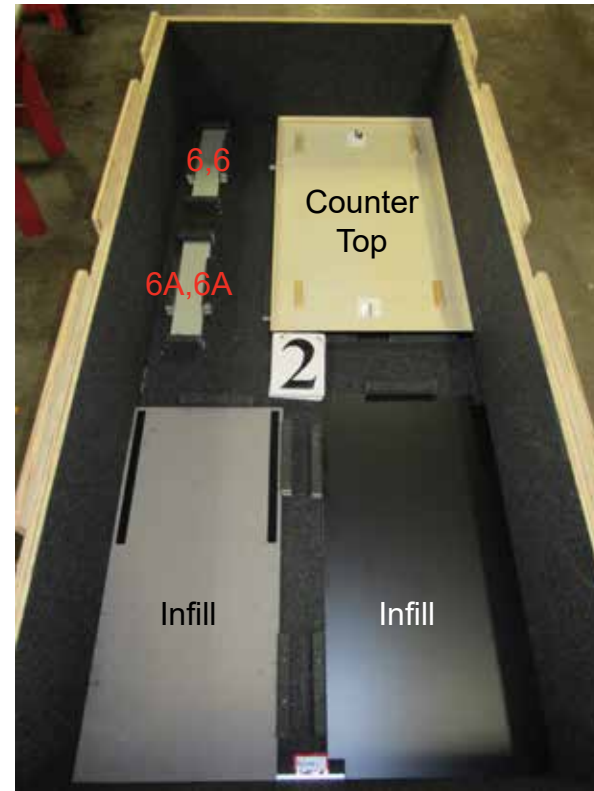
Graphic Removal



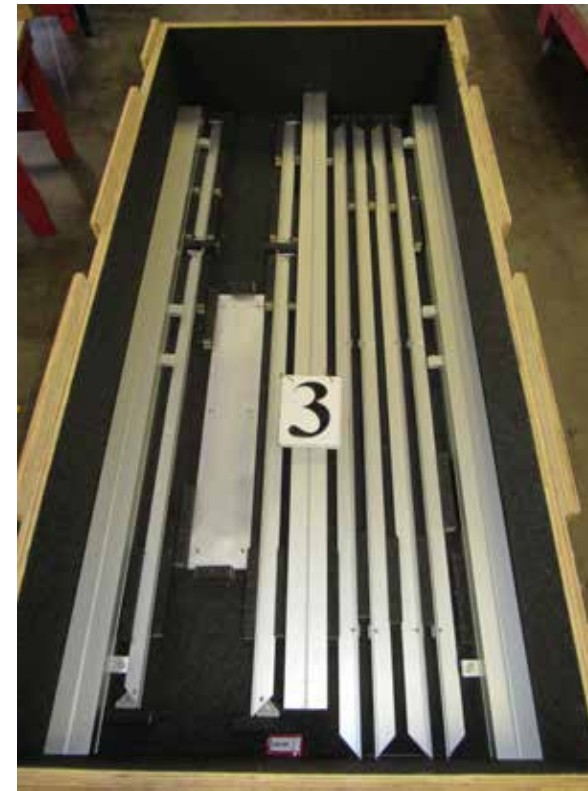
To remove the graphic from the frame, locate the fabric pull tab. Gently pull up on the tab to remove the fabric.



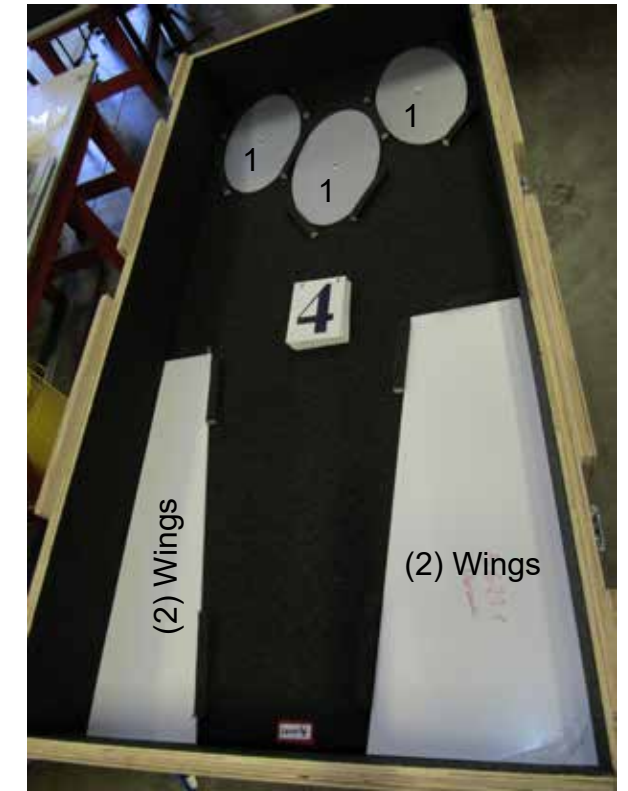
Level 1



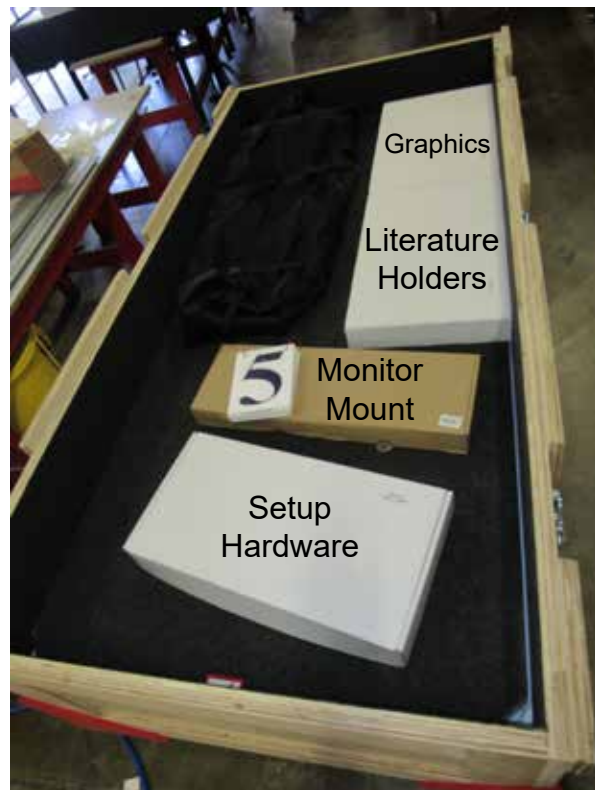
Level 2



Level 3



Level 4



Level 5



Aero Frame Bag



Setup Hardware Box



Literature Holder Box



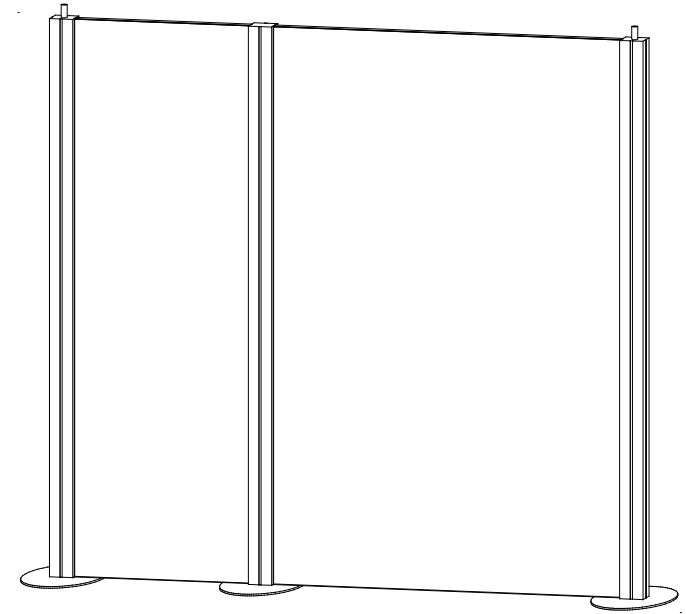
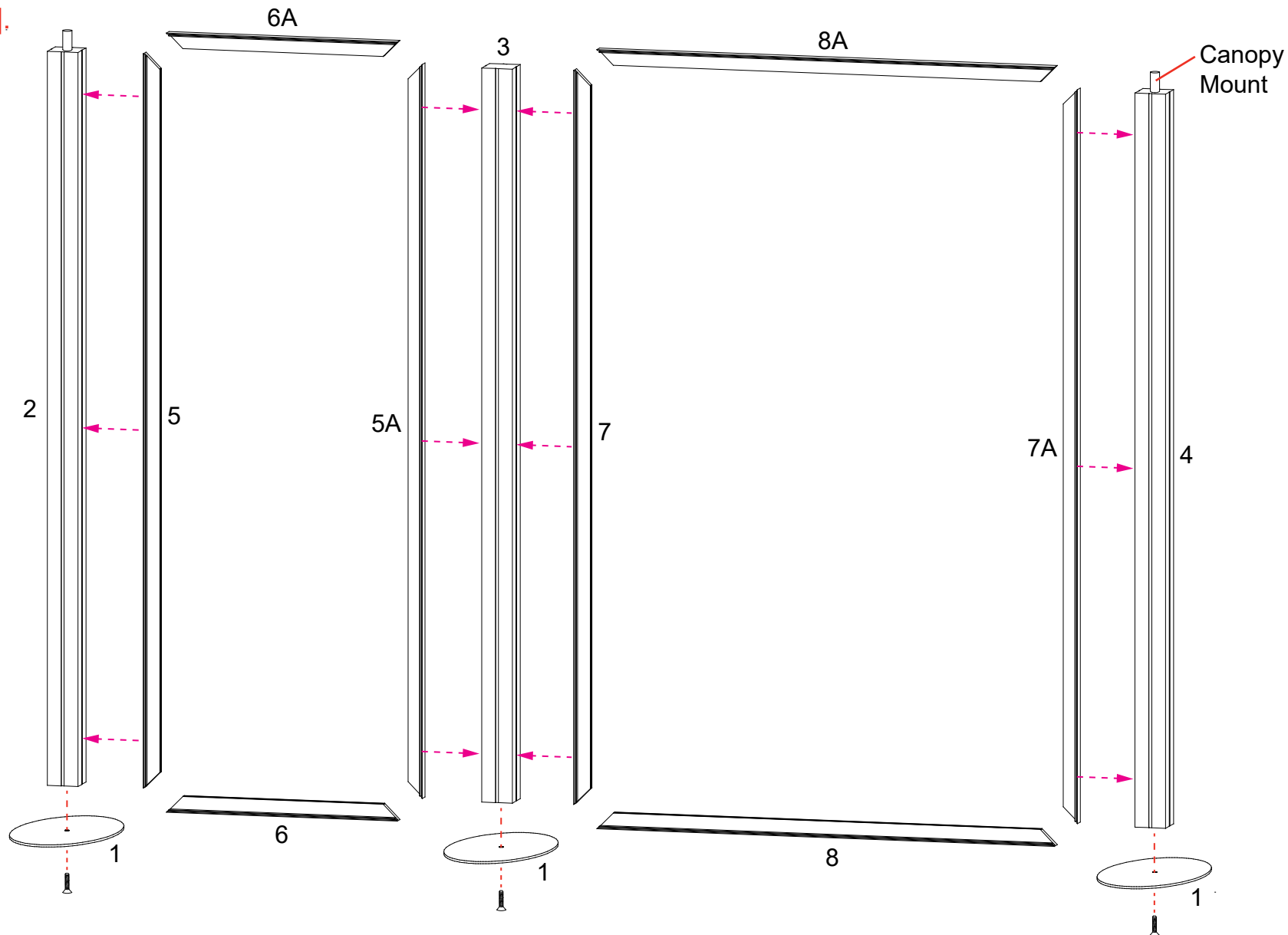
Graphics Box

Item	Qty.	Description
1	3	Base Plate
2	1	84" Q914 Vertical Extrusion w/ canopy mount
3	1	84" Q914 Vertical Extrusion
4	1	84" Q914 Vertical Extrusion w/ canopy mount
5,5A	1,1	84" TSP46 Vertical Extrusion
6,6A	1,1	27" TSP46 Horizontal Extrusion
7,7A	1,1	84" TSP46 Vertical Extrusion
8,8A	1,1	53.5" TSP46 Horizontal Extrusion

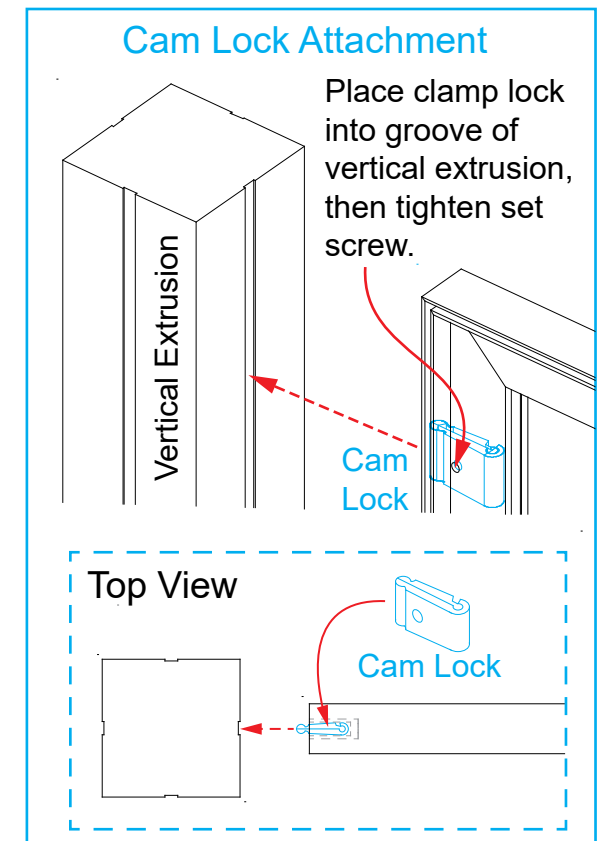
Steps:

- 1) Attach base plates [1] to verticals [2] [3] and [4].
- 2) Attach verticals [5 to 2] [5A to 3] [7 to 3] and [7A to 4].
See [Cam Lock Attachment](#) detail.
- 3) Attach assemblies [2/5] and [3/5A] together, using horizontals [6] and [6A].
- 4) Attach assemblies [3/7] and [4/7A] together, using horizontals [8] and [8A].
- 5) Install SEG graphic to assembled frames. See SEG Installation sheet.

Keep canopy mounts and clamps attached to [2] and [4].



Completed Assembly



AERO

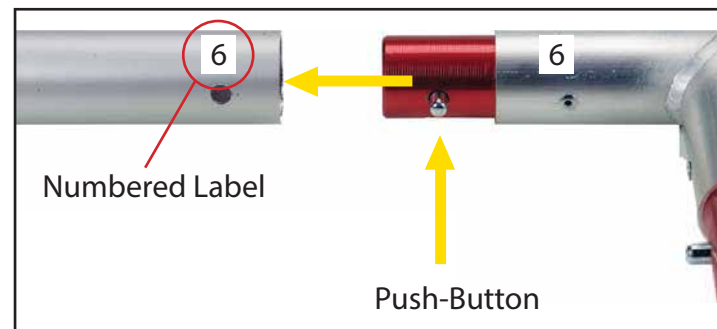
Using Your Setup Instructions

The Aero Setup Instructions are created specifically for your configuration. The instructions include an exploded view of the frame which is sequentially labeled. We encourage you to review the instructions before attempting to assemble your exhibit.

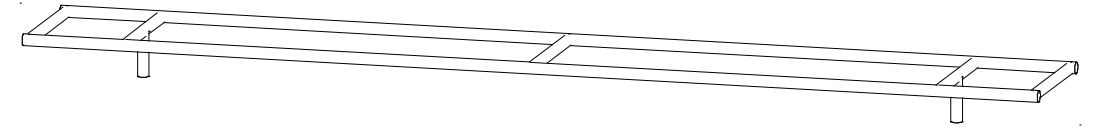
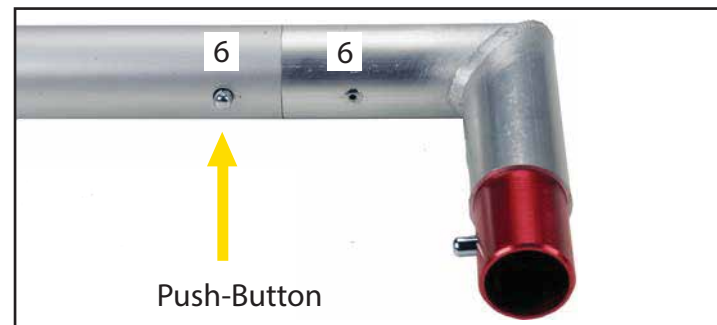
Connections are kept very simple; no tools required. Everything assembles with push-button connectors.

Cleaning and Packing Your Display

- 1) Use care when cleaning aluminum extrusion or acrylic inserts. Use only non-abrasive cleaners.
- 2) Retain all packing material. It will make re-packing much easier and will reduce the likelihood of shipping damage.



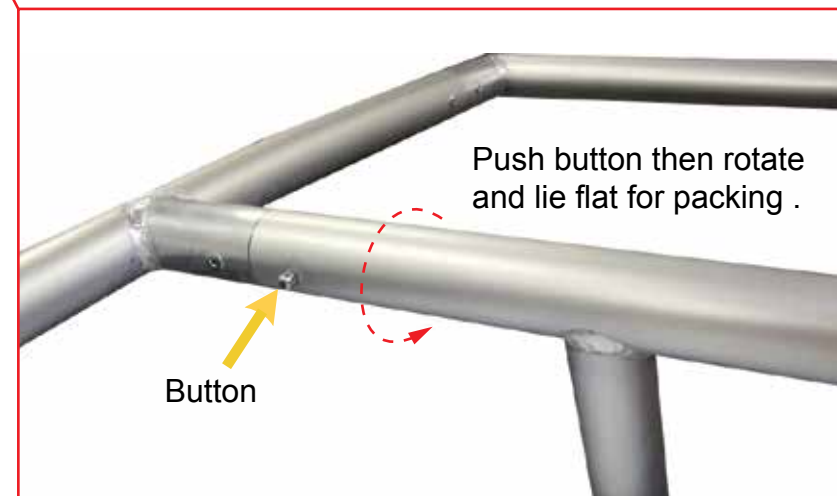
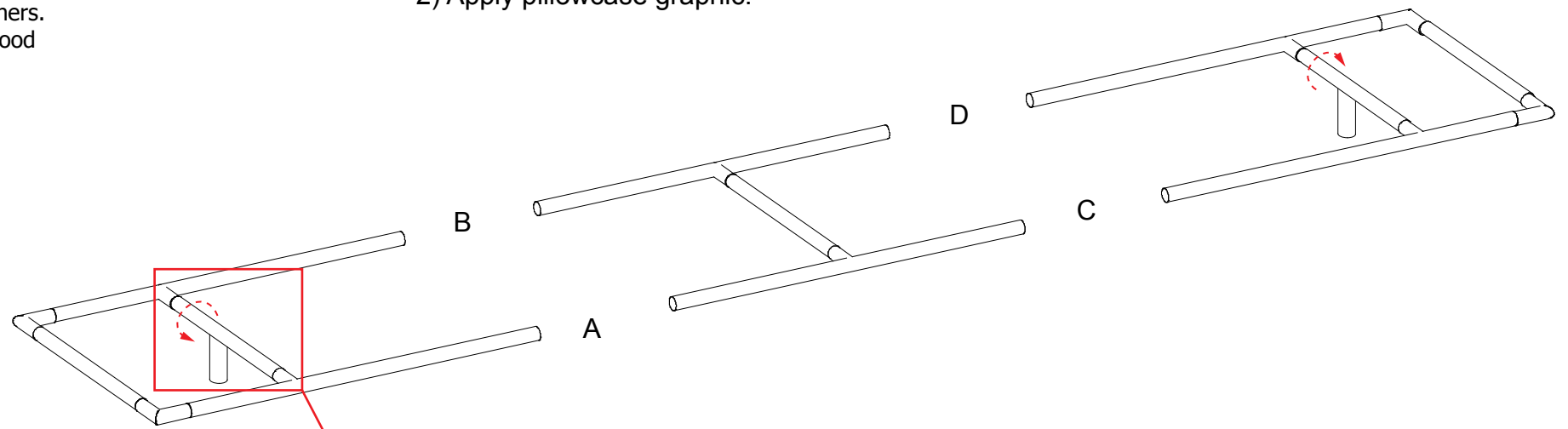
Connections are made by holding the button down and sliding the red tube into opposing tube until button locks into the hole of the opposing tube. To disassemble, push button and pull or twist extrusions apart.



Completed Assembly

Steps:

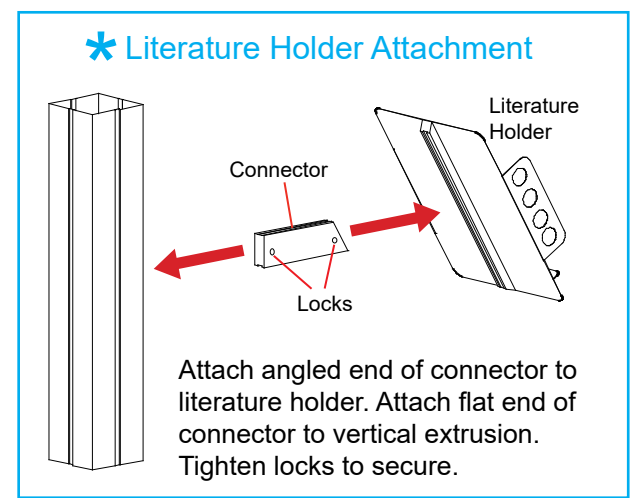
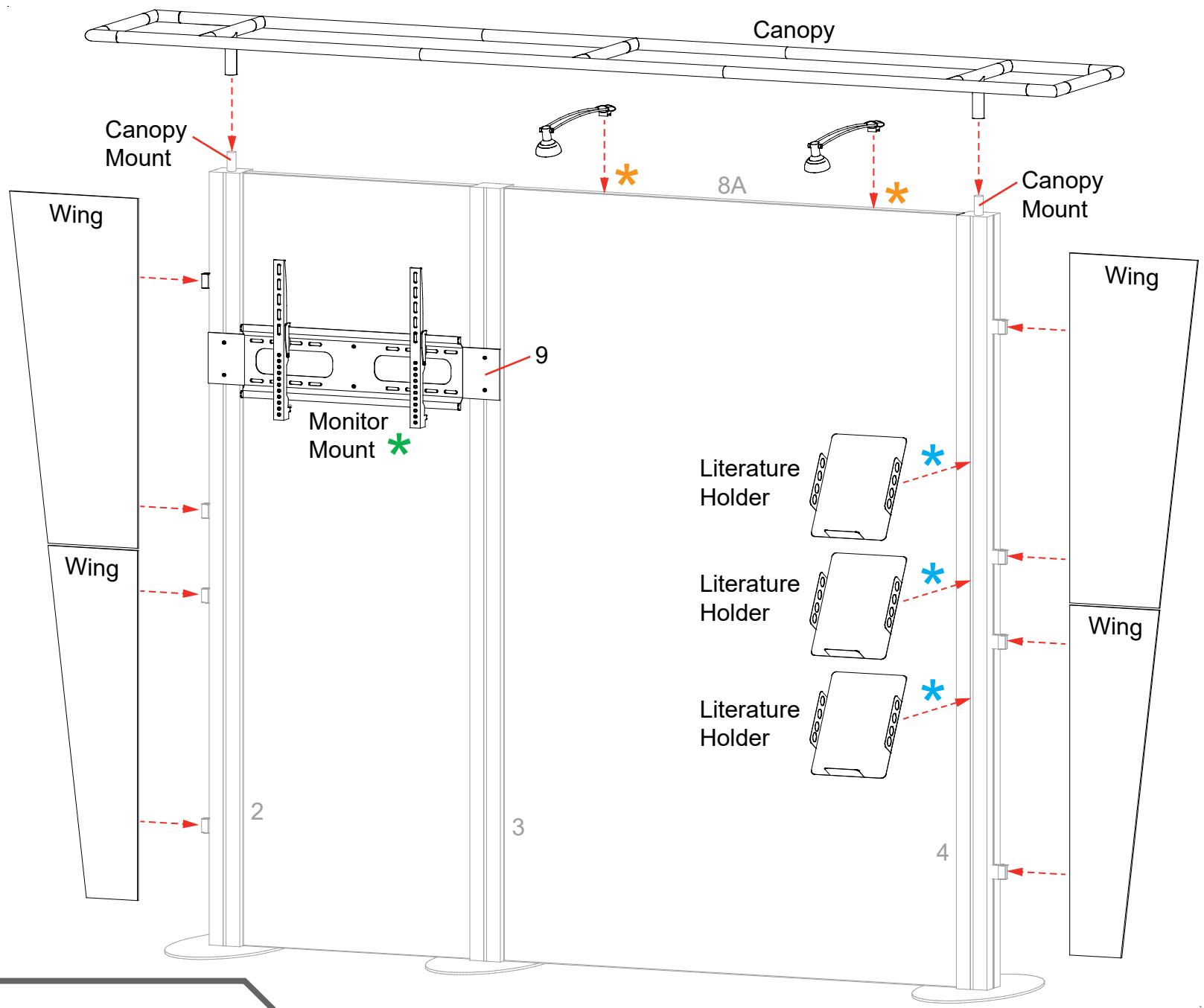
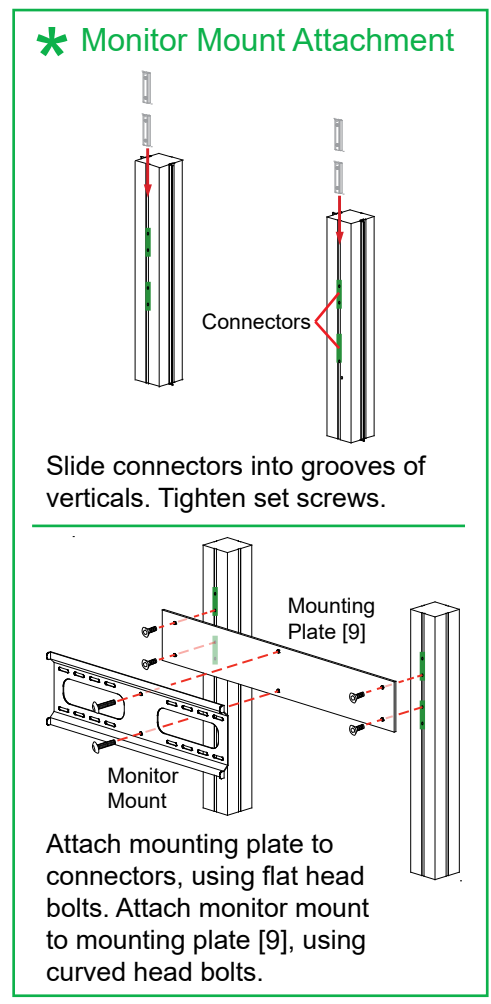
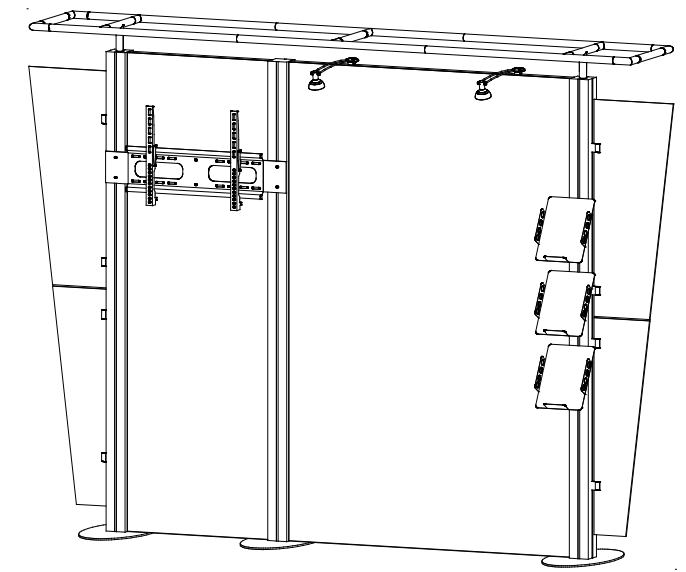
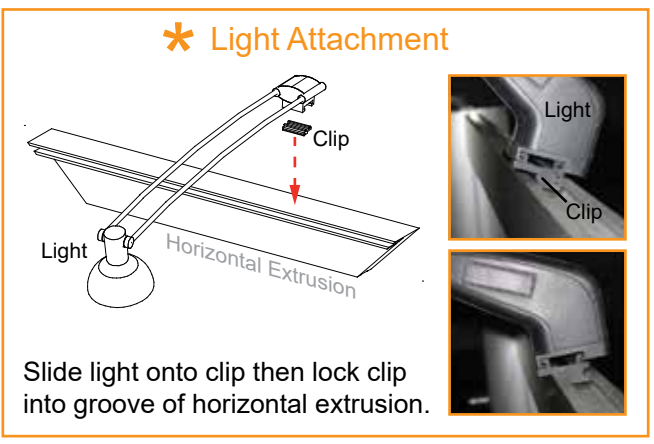
- 1) Assemble canopy pieces in alphabetical order.
- 2) Apply pillowcase graphic.



Item	Qty.	Description
9	1	Mounting Plate

- Steps:
- 1) Attach lights to [8A]. See **Light Attachment** detail.
 - 2) Place assembled canopy onto canopy mounts.
 - 3) Attach wings to clamps.
 - 4) Attach monitor mount to [2] and [3]. See **Monitor Mount Attachment** detail.
 - 5) Attach literature holders to [4]. See **Literature Holder Attachment** detail.

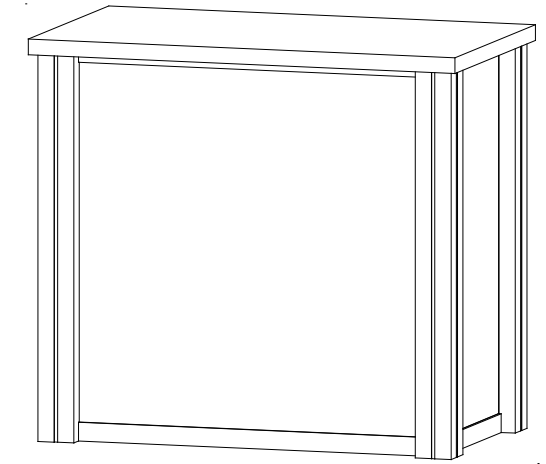
Keep canopy mounts and clamps attached to [2] and [4].



Item	Qty.	Description
1	1	38" Q914 Vertical Extrusion w/ Door Stop
2	1	38" Q914 Vertical Extrusion
3	1	38" Q914 Vertical Extrusion
4	1	38" Q914 Vertical Extrusion w/ Door Hinges
5,5A	1,1	34" Z45 Horizontal Extrusion
6,6A	1,1	16" Z45 Horizontal Extrusion

Steps:

- 1) Attach horizontals [5] and [6] between verticals [1] [2] [3] and [4], as shown.
- 2) Slide infills between [1][2], [2][5], and [4][5], making sure Velcro is facing inward.
- 3) Attach horizontals [5A] and [6A] between verticals [1] [2] [3] and [4], as shown.
- 4) Connect door to vertical [4]. See **Door Connection** detail.
- 5) Connect shelf supports to Velcro on infills.
- 6) Place shelf onto shelf supports.
- 7) Lock counter top to horizontals [6A]. See **Counter Top Lock** detail.



Completed Assembly

